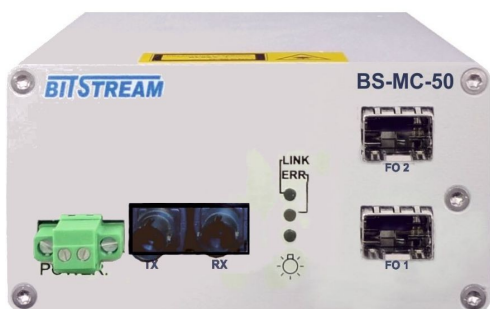


BS-MC-50

Low-rate optical converter



BS-MC-50

- Low-rate optical converter dedicated for conversion of optical signals used by protection relays
- Range of applications:
 - MM (820nm/1300nm) to SM (1310/1550nm) conversion
 - Wavelength conversion (CWDM, DWDM)
 - Signal repeating
- Optical interfaces:
 - Local interface: 820/850nm or 1300nm, ST connectors, up to 115,2kbit/s transmission speed
 - Line interface : SFP or built-in SC connectors, (MM/SM/xWDM)
- Port status LED signalization
- One or two optical interfaces (1+1 protection, ability to operate in ring/bus topology)
- Optional redundant power supply

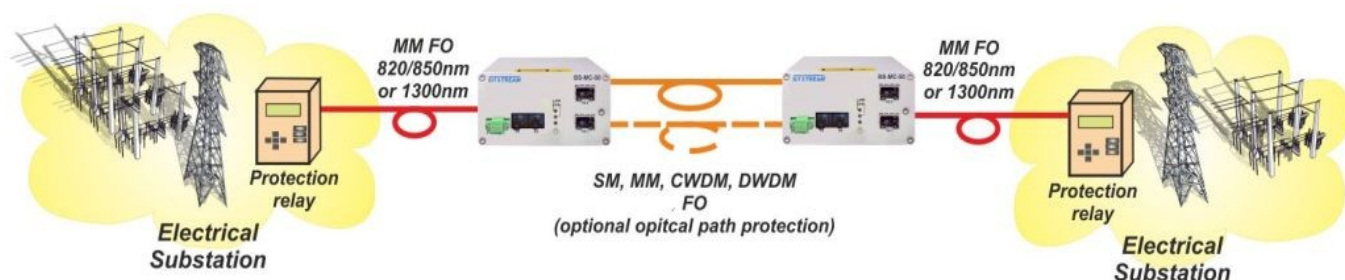
BS-MC-50 low-rate optical converters can transmit multi-mode RS232/485, 820/850/1300 nm optical signal used by protection relays (differential, distance, voltage, frequency protection) over SM/CWDM/DWDM fiber optical path. Local interface is realized by built-in 820/850/1300nm multi-mode optical interface with ST-connectors. Line interface can be realized by SFP modules or built-in optical interface with SC connectors.

BS-MC-50 device can be used to provide:

- MM (820nm/1300nm) to SM (1310/1550nm) conversion
- Wavelength conversion (CWDM, DWDM)
- Signal repeating

BS-MC-50-P version of device is equipped with two optical interfaces to provide optical path protection (and ability to operate in ring/bus topology).

Typical application is presented on the drawing below:



Protection relays commonly used in electrical substations operates at low bit-rates. BitStream's optical devices can be used to provide conversion of such signals

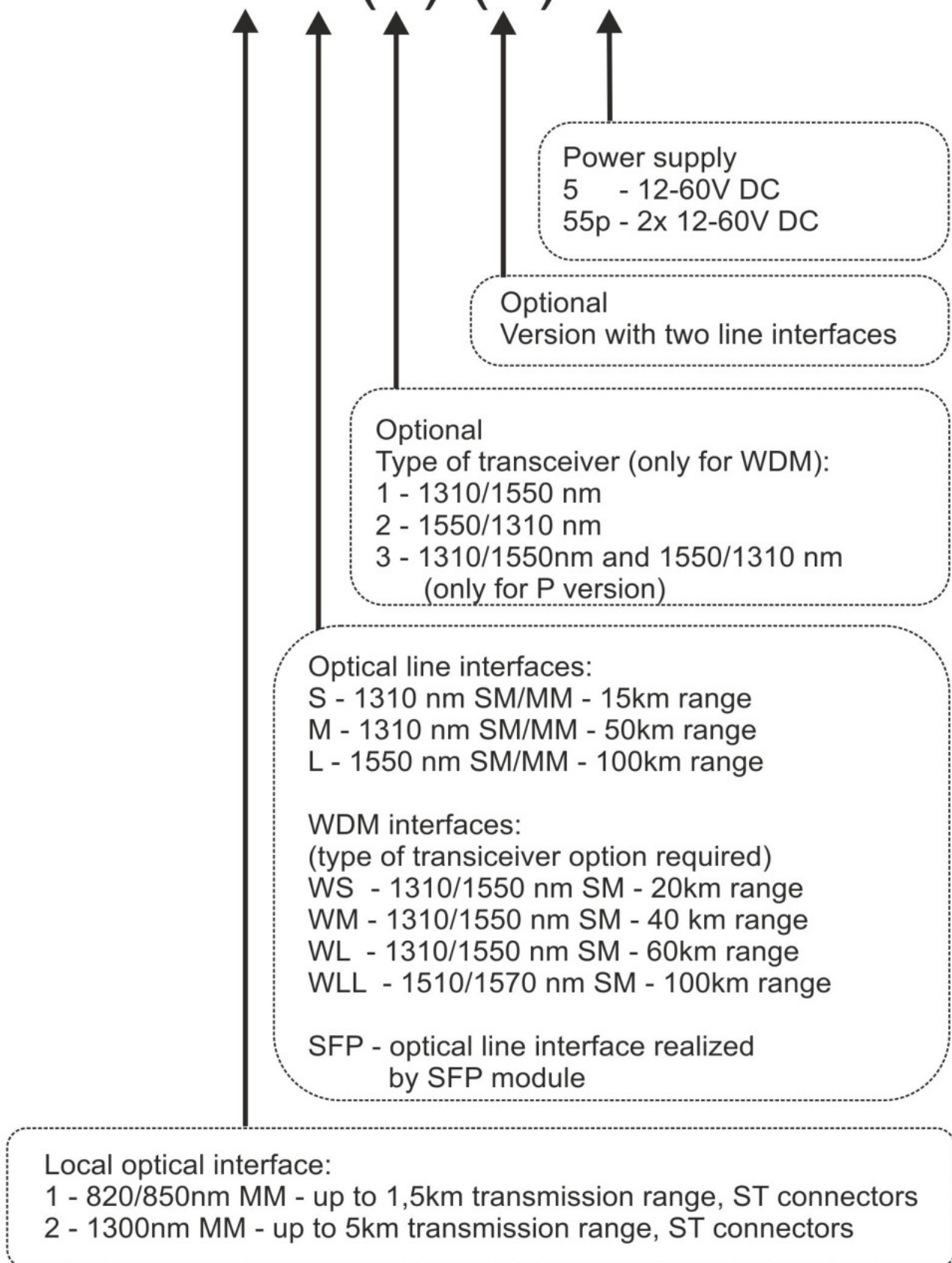
BS-MC-50 is able to operate in-pair with RSMUX2-FO optical multiplexer to provide optical connectivity between pair of protection relays/ controllers, one using optical RS232/485 interface and second one using electrical RS232/485 interface.



The **BS-MC-50** is supplied with direct current source, with rated voltage value within the range of 12-60V or from an external direct voltage power supply unit delivered on an order by the producer. Device can be mounted directly on the DIN rail.

PARAMETERS	
<p>Optical local interface</p> <p>BS-MC-51 version:</p> <ul style="list-style-type: none"> • ST connectors, 820nm, MM • 0-115,2 kbit/s transmission speed • Sensivity: -25,4 dBm • Tx power: -18,8dBm (50um), -16dBm (62,5um), -12dBm (100um), -7dBm (200um) <p>BS-MC-52 version:</p> <ul style="list-style-type: none"> • ST connectors, 1300nm, MM • 0-115,2 kbit/s transmission speed • Sensivity: -21 dBm • Tx power: -17,0dBm (50um), -14,0dBm (62,5um) 	<p>Optical line interface</p> <ul style="list-style-type: none"> • One or two optical interfaces • SM, MM, WDM, 1310nm, 1550nm • Fiber type 9/125um, 62,5 / 125um • SC connector • Ranges depending on the type of optical port 15km, 50km, 120km (1550nm), 20km WDM, WDM, 40km, 60km WDM • Device is also available with SFP port.
<p>Dimensions</p> <ul style="list-style-type: none"> • Housing: 103 x 77 x 53mm • Suitable for mounting on DIN rail • Weight: 0.5 kg 	<p>Power</p> <ul style="list-style-type: none"> • Supply voltage range: 12-60V DC, • Optional external power supply • Power Consumption: up to 4W

BS-MC-5X-Y-(Z)-(P)-UUU



BITSTREAM Ltd.
Mełgiewska 7/9, 20-209 Lublin, Poland
Tel. +48 81 743 86 43, Fax +48 81 442 02 98
info@bitstream.com.pl
www.bitstream.com.pl